

.....

LED-LUC

.....

Magnetic MiniSpot

LED-LUC

Magnetic MiniSpot

ADO *Lights*

PICTURES



LED-LUC

Magnetic MiniSpot



BASE INFORMATION AND GENERAL TECHNICAL SPECIFICATIONS



LED-Luc | Thumb-sized + to the point

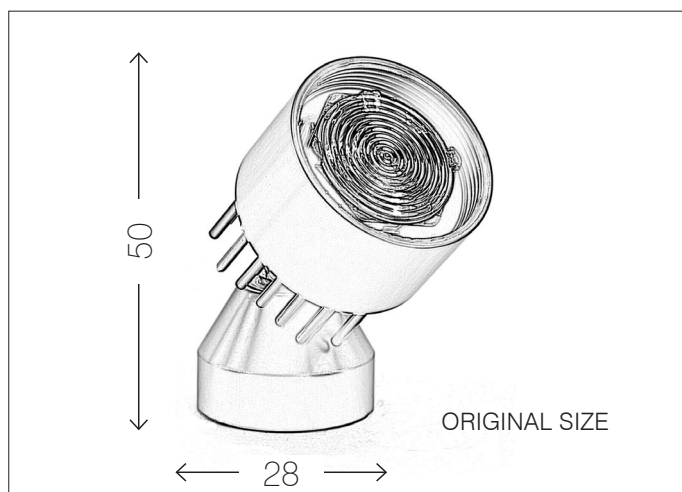
Switch on the Spot! LED-Luc is small but powerful. To the point or for spacious illumination, as desired. In addition, it can be pivoted and it is magnetic on the reverse side. Another positive aspect: LED Luc generates very little heat. And the luminaire provides excellent colour reproduction.

LED Luc is an electrifying product. Just thumb-sized but still extremely powerful. There is no UV luminance, which is cool. In addition, it can be pivoted and magnetically attached. A miniature spot for maximum demands.

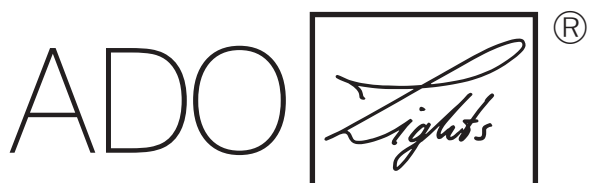
Features

- High flexibility due to a multitude of application options and individual adjustability
- Magnetic base
- For private residences, showrooms, churches, castles, museums, trade fairs, libraries, galleries
- To gently illuminate paintings, works of art, exhibits
- No UV components
- Low heat/thermal load, hence, only very little air-conditioning
- Excellent CRI [CRI > 94]
- Lenses subsequently changeable

DIMENSIONS [W X H]	Approx. 28 x 50 mm
POWER CONSUMPTION	2 W @ max. 700 mA
OPERATING VOLTAGE	Low voltage to 48V DC
MODULE EFFICIENCY	115 lm/W @ CRI > 94, 3000 K, 700 mA 108 lm/W @ CRI > 94, 3000 K, 1050 mA
LIGHT BEAM ANGLE	10°/25°/50° freely swivelling on bullet magnet
SERVICE LIFE	LED 50,000 hours at 70% of mean luminous flux
COLOUR TEMPERATURE	White 2200/2700/3000/3500/4000 Kelvin
COLOUR REND. INDEX	> 94
NO. OF LEDS	1
IP RATING	IP44 optional IP54 for outdoor
CERTIFICATES	CE, RoHs
LUMINAIRE HOUSING WITH BULLET MAGNET	Aluminium anodised Aluminium black anodised Aluminium vanished white RAL9010
ATTACHEMENTS [OPTIONAL]	Threads for screwing on · Honey comb mesh to optimise the dazzling effect · Tapered
CONTROL INTERFACE	Static or digital dimmable converter, DALI
WEIGHT	0.08 kg
UPON REQUEST	Project-related housings Higher CRI Tunable white and other light colours



TTC Timmler Technology GmbH
Christian-Schäfer-Straße 8
D-53881 Flammersheim [Cologne/Bonn]
T +49 2255 9212-00
F +49 2255 9212-99
E info@ado-lights.com
I www.ado-lights.com
www.led-luc.com



by TTC Timmler Technology

