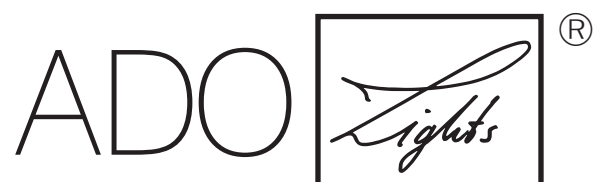

LED-LIGHT LINE

Lighting Frames
for Door Mats
with LED-LightLines
LLF 12.30



by TTC Timmler Technology

LED-LIGHTLINE

Lighting Frame for Door Mats
with LED-LightLines LLF 12.30



PICTURES



LED-LIGHTLINE

Lighting Frame for Door Mats with LED-LightLines LLF 12.30



BASE INFORMATION AND GENERAL TECHNICAL SPECIFICATIONS



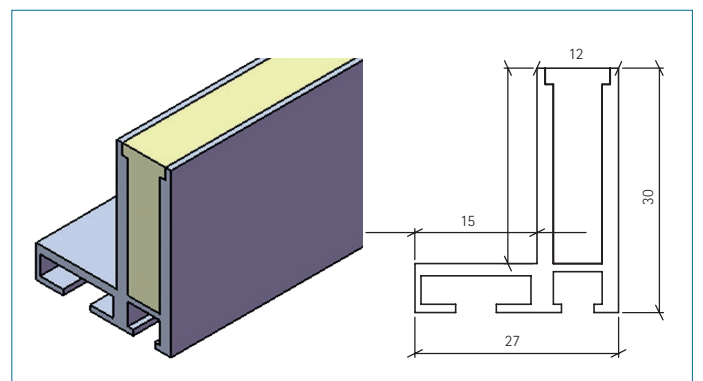
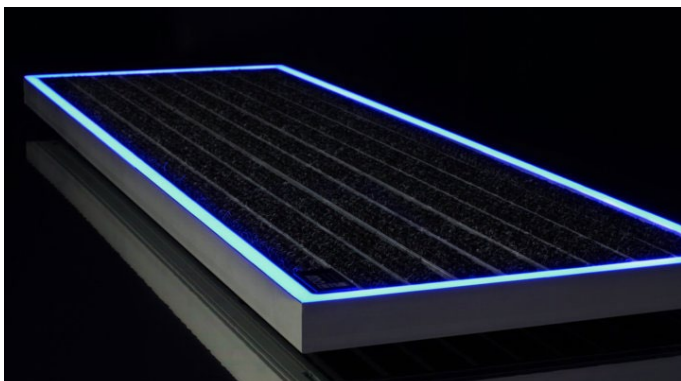
Entrance areas in the right light

Lighting frames with LED-LightLines put entrance areas in the right light, because the filigree frames are excellently suited as a design and guiding lighting element in combination with TTC door mats and dust-trap zones. Can be combined with door mats from other manufacturers on request.

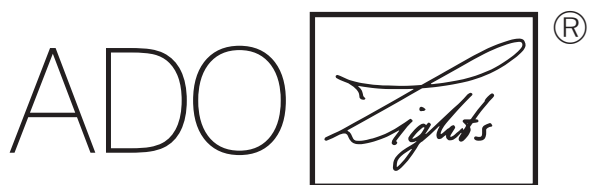
Features + Applications

- For inside and outside areas
- Fully moulded recessed luminaire
- Energy-saving
- Flush mounted; can also be built in wall and floor grids
- With appropriate sealing of the connection points also for installation under water up to max. 3 m depth
- Light colour monochrome white or RGB/multicolor; control via controller or power supply; all colours, mixed colours, colour gradients, colour changes and dynamic light scenes can be displayed
- Depending on the application, control can range from user-friendly application up to integration into building automation systems
- Compatible with any interface in conjunction with ballast, e. g. DMX512, EiB, Dali etc.

DIMENSIONS [W X H]	12 x 30 mm Rectangular profile Mat height 22 mm others upon request
POWER CONSUMPTION	7 W/m 7.5 W/m [RGB multicolor]
NENNSPANNUNG	24VDC
SERVICE LIFE	LED and EVG 100,000 hours at 70% of mean luminous flux
COLOUR TEMPERATURE	Monochrome white or RGB multicolor
CONTROL INTERFACE	With ballast compatible to any interface e. g. DMX512, DALI, EIB etc.
IP RATING	IP68 Protection class III
CERTIFICATES	CE, RoHs
MATERIAL	Aluminium fully moulded High-quality, opaque polyurethane seal
OTHER	Ambient temperature -40 °C up to +85 °C Connection cable with plug connection Angle/cover profile made of aluminium EN AW_6060 T66 natural anodised, other anodised colours upon request Joint connector/corner 90° other angles upon request
WEIGHT	0.75 kg/m



TTC Timmler Technology GmbH
Christian-Schäfer-Straße 8
D-53881 Flammersheim [Cologne/Bonn]
T +49 2255 9212-00
F +49 2255 9212-99
E info@ado-lights.com
I www.ado-lights.com
www.led-luc.com



by TTC Timmler Technology

