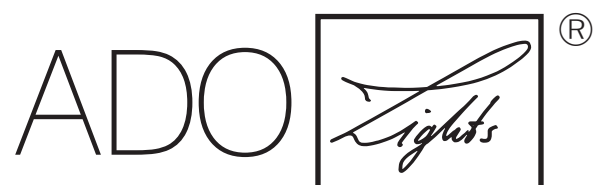


.....

# PROJECT

.....

Borussia-Museum  
FohlenWelt  
Mönchengladbach



by TTC Timmler Technology

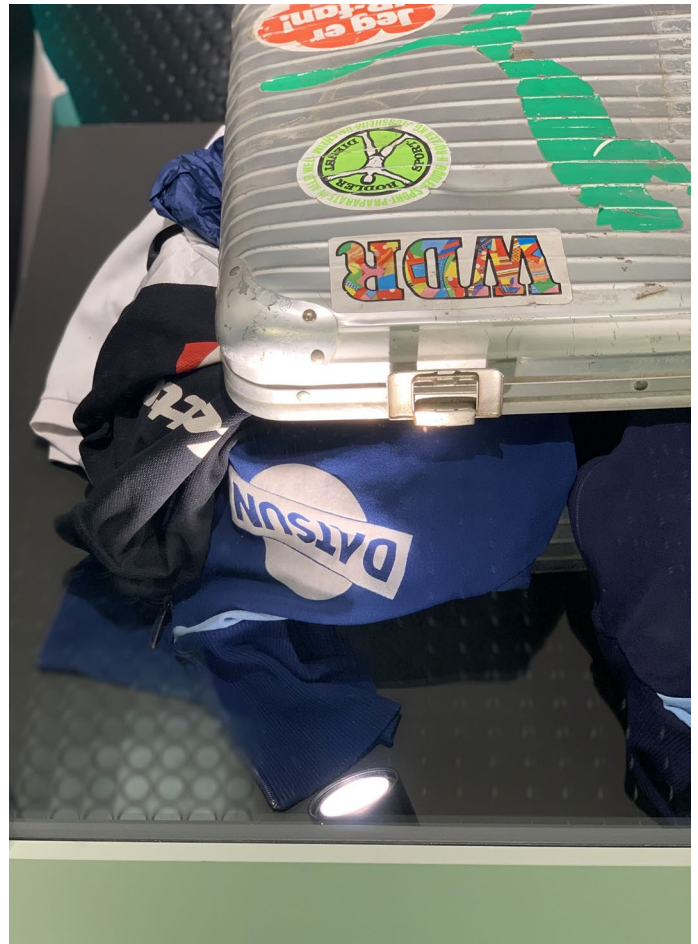
# BORUSSIA-MUSEUM FOHLENWELT Mönchengladbach

ARCHITECT | LIGHT PLANNER  
SOP Architekten, Düsseldorf | Uli Jetzt, Stuttgart

## Spot on for pennants, jerseys and cups

Both the fans and the initiators at the Bökelberg needed a lot of patience before the Borussia Club Museum could be opened. The idea was born more than 20 years ago, but the FohlenWelt archive only found an adequate setting with the new construction of the »Borussia-8-Grad« building.

Spot on – to illuminate the exhibits in the showcases, ADO Lights supplied the flexible magnetic LED-Luc 60 and LED-Luc MiniSpots to put the history of the club in the right light.



# BORUSSIA-MUSEUM FOHLENWELT Mönchengladbach

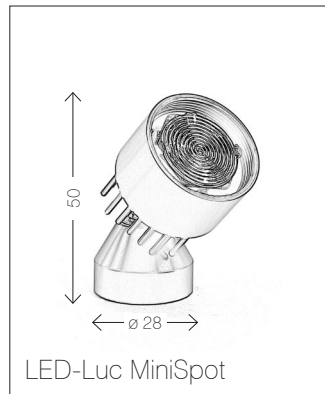
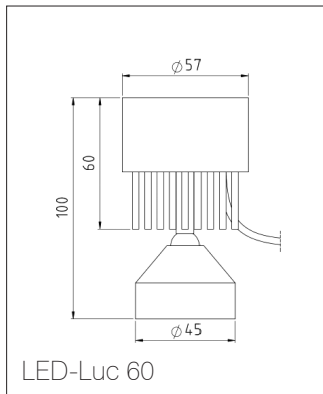


## LED-LUC 60 + MINISPOTS

Illumination of exhibits

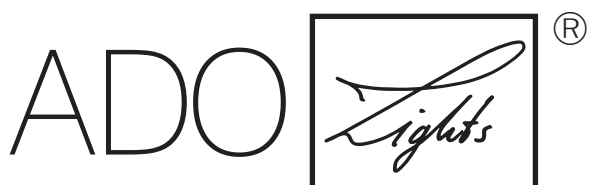
### LED-Luc

- 63 units LED-Luc 60 magnetic spots, black powder-coated, 3,000 K, 25° lenses
- 3 units LED-Luc magnetic minispots, black powder-coated, 2,600 K, 10° lenses
- 2 units LED-Luc magnetic minispots, black powder-coated, 3,500 K, 10° lenses





TTC Timmler Technology GmbH  
Christian-Schäfer-Straße 8  
D-53881 Flammersheim [Cologne/Bonn]  
T +49 2255 9212-00  
F +49 2255 9212-99  
E [info@ado-lights.com](mailto:info@ado-lights.com)  
I [www.ado-lights.com](http://www.ado-lights.com)  
[www.led-luc.com](http://www.led-luc.com)



by TTC Timmler Technology

